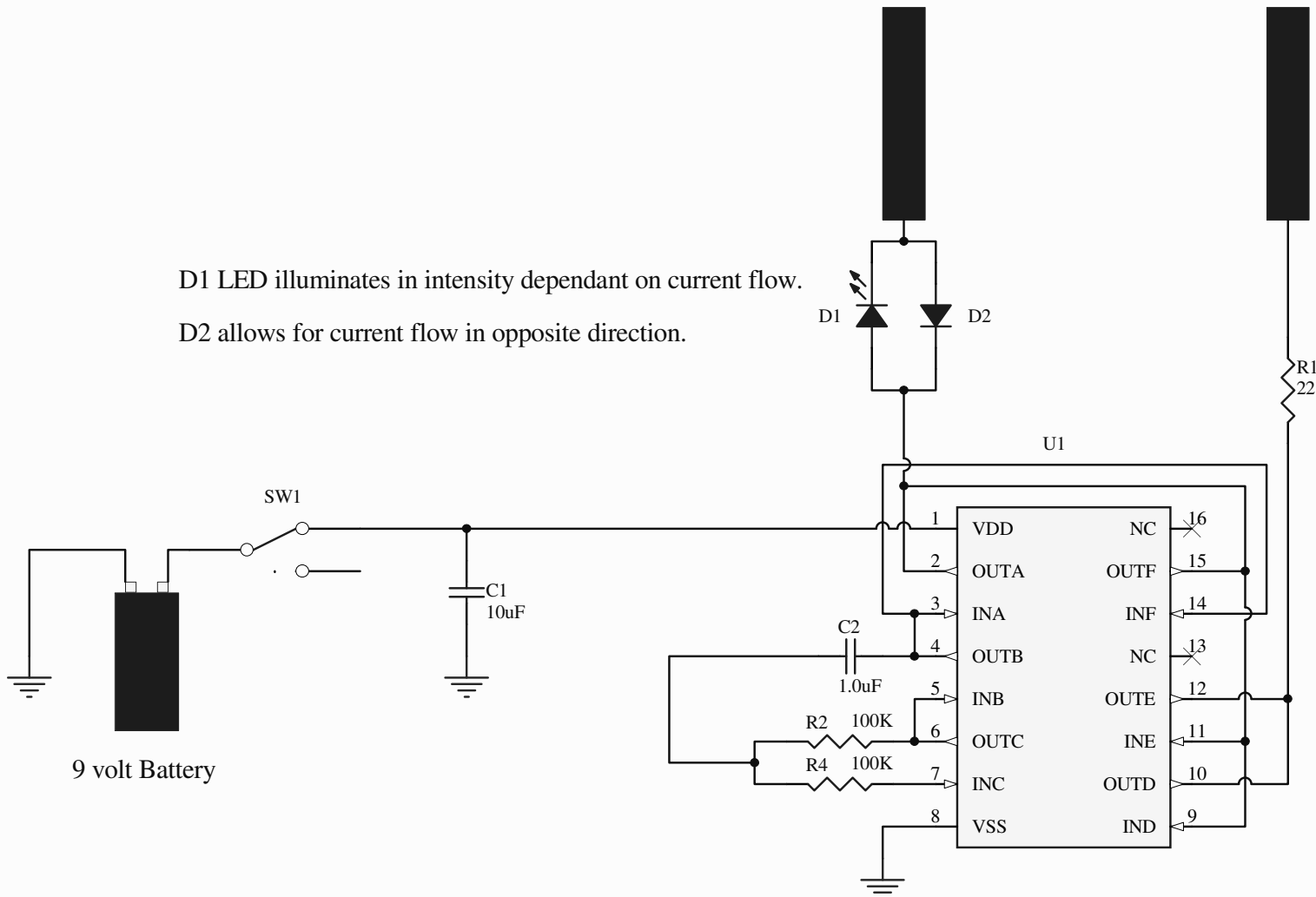


Output is approximately 4hz AC 17.8 volts peak to peak.
 9 volt battery would typically have 450ma hour capacity,
 so it should operate for 180 hours.

Output will be 35.6 volts peak to peak with just two 9 volt batteries in series.

Handheld Tubes or Electrodes



D1 LED illuminates in intensity dependant on current flow.
 D2 allows for current flow in opposite direction.