

Nikon



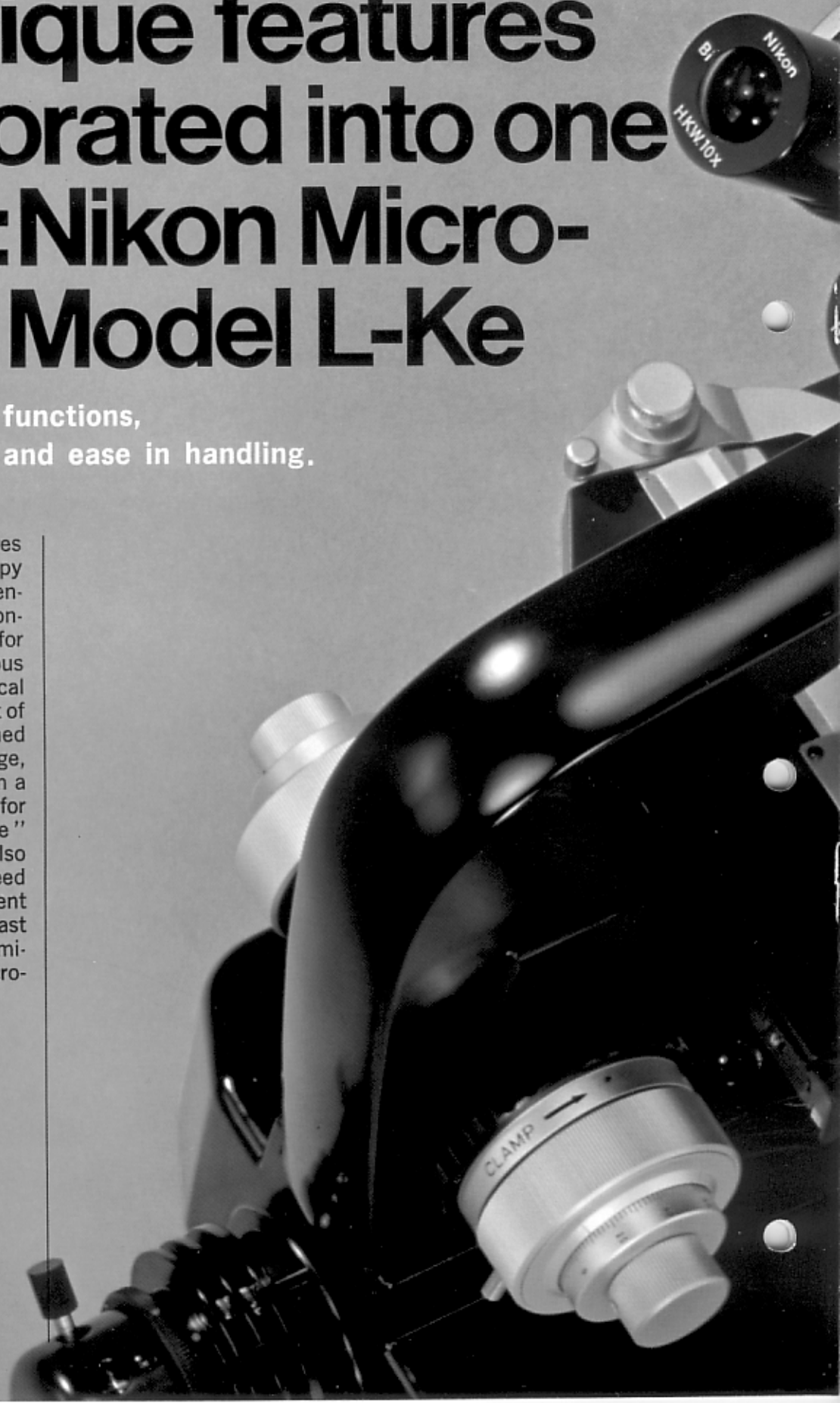
Ta

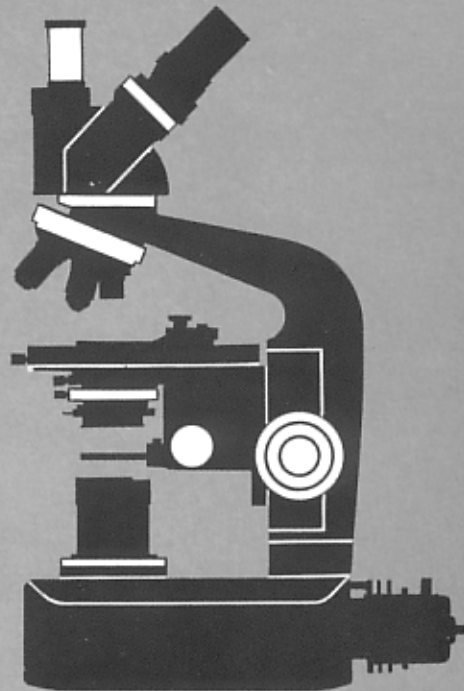
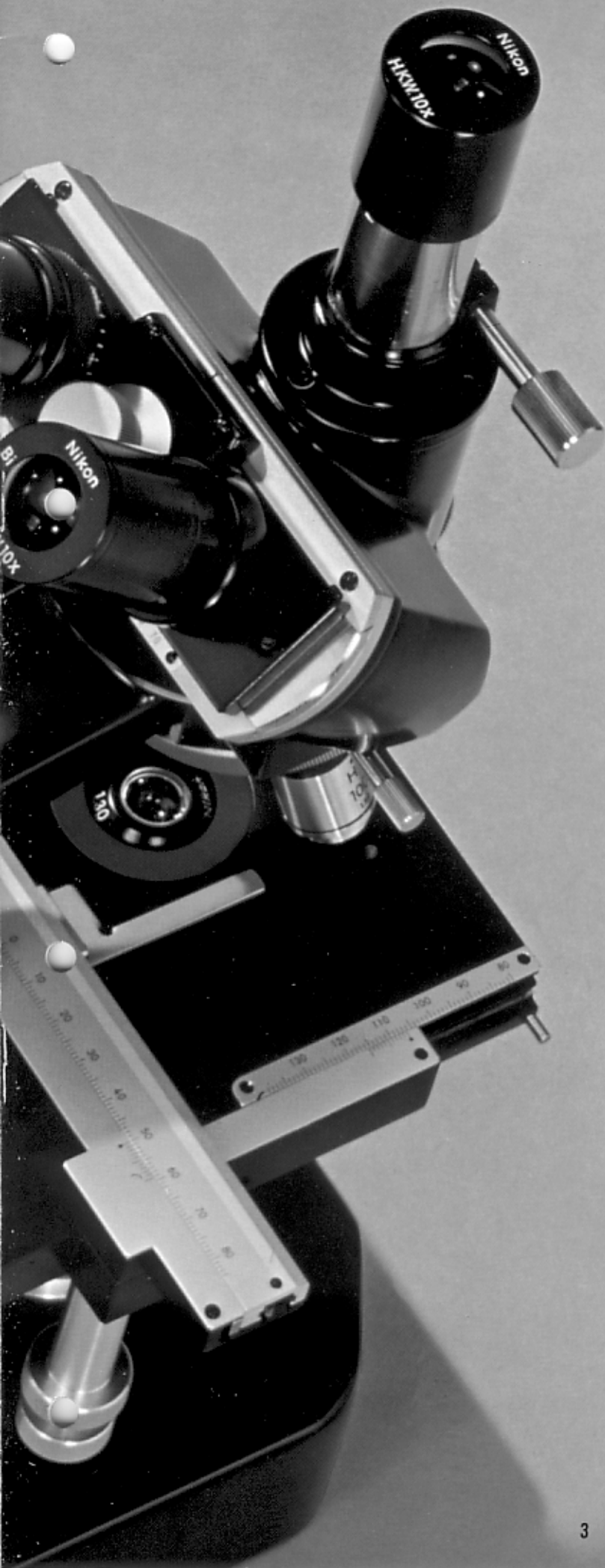
MICROSCOPE
model L-Ke

Now, so many new and unique features incorporated into one model: Nikon Microscope Model L-Ke

Versatility, extended functions, Koehler illumination, and ease in handling.

Here are all the advanced features you want and need for microscopy and research, all in one convenient, easy-to-use package. Conceived and developed by Nikon for incomparable results in various fields of work, especially medical and biological. Each component of the Nikon Model L-Ke is designed for easy and smooth interchange, yet is securely mounted to form a firm, integral unit. Accessories for the well-known "S" and "S-Ke" series of microscopes are also readily usable without any need for modification. Equally efficient for dark-field and phase contrast as for bright-field, photo/cinemi-crography or as a polarizing microscope.





VERSATILITY

*Easy Interchange of Revolving Nosepieces
Interchangeable Parts with Other Nikon Microscopes*

EXTENDED FUNCTIONS

*High/Low Stage Positions
Large Condenser Focusing Range*

KOEHLER ILLUMINATION

For Entire Magnification Range

EASE IN HANDLING

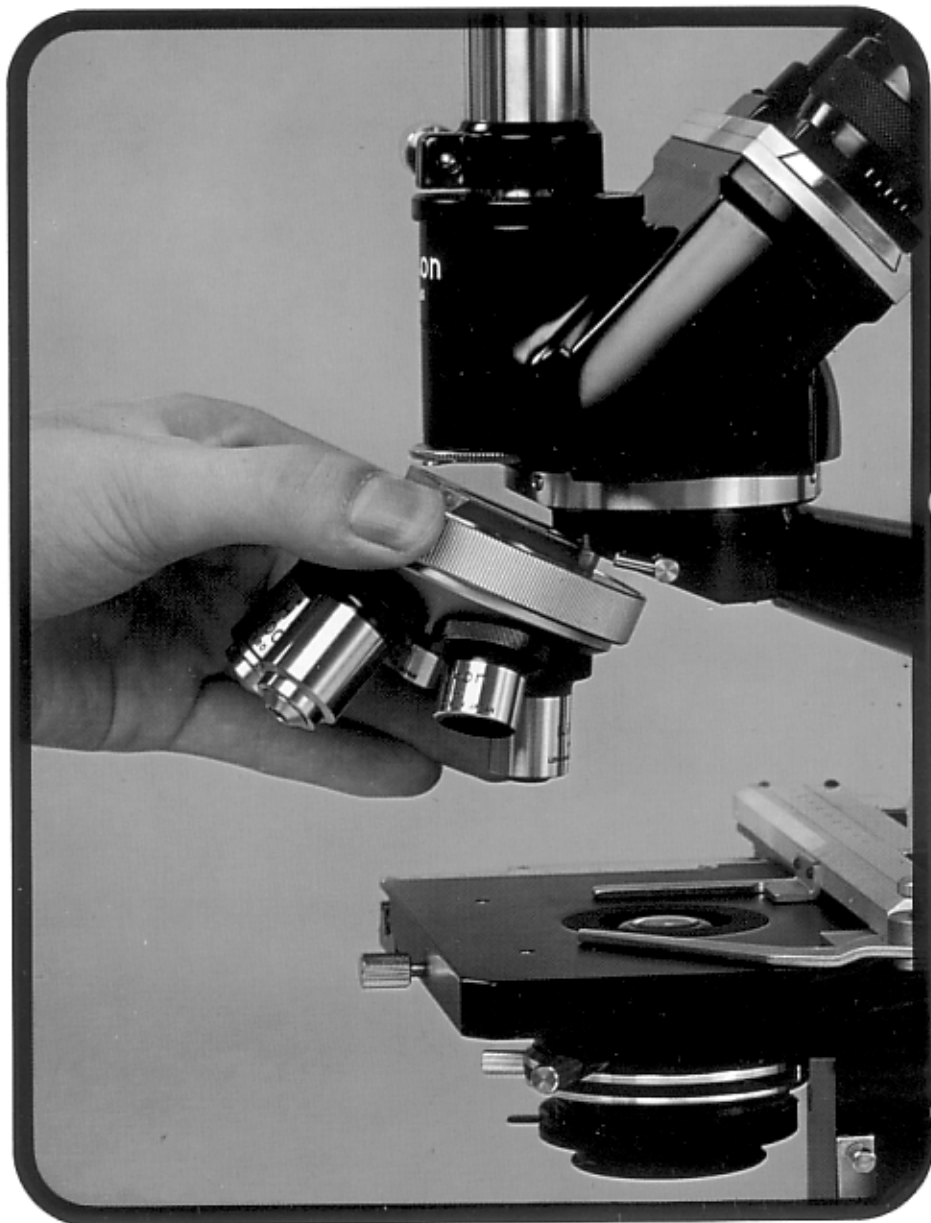
Coaxial Coarse- and Fine-Focusing Knobs

VERSATILITY

Greater versatility, economy and a more complete range of research possibilities are yours. Nikon's complete interchangeability of microscope parts, including interchangeable optics, gives you unprecedented versatility, no matter how demanding your research effort.

Easy Interchange of Revolving Nosepieces

Interchangeable nosepieces for five objectives are available. Easy, speedy and secure interchange is assured from one system of optics to the other, e. g., Achromatic, Plan Achromatic, Apochromatic, Plan Apochromatic, Phase-Contrast, Polarizing, Low-Power No-Cover Metallurgical Objectives. By such exchange of nosepieces, each provided with one system of optics, the range of examination broadens considerably without disturbance to specimen or microscope set-up.



Interchangeable Parts with Other Nikon Microscopes

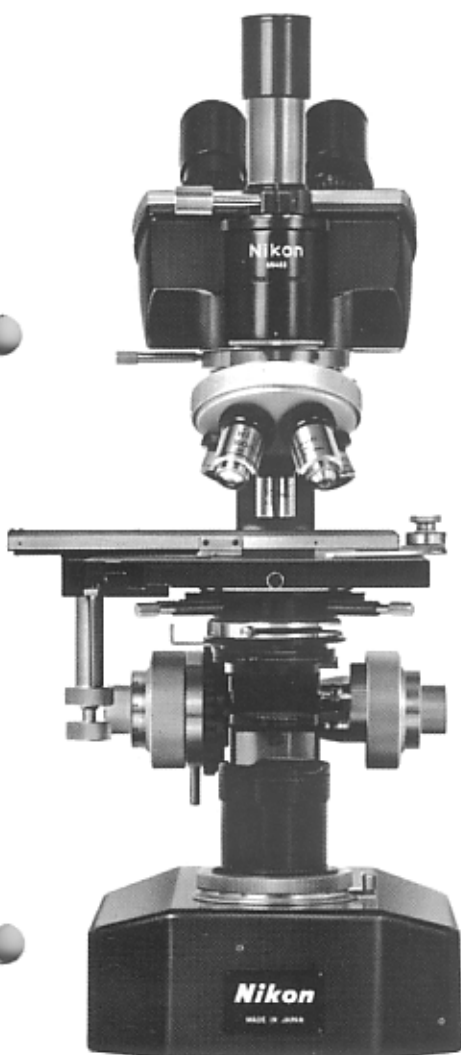
All optics and accessories for Nikon S and S-Ke Microscopes are used in common with Model L-Ke Microscopes.

Specifications

| | |
|-------------------------------|--|
| Microscope Tube Length | 160mm |
| Total Magnification | 20X—1500X * Low-power microscope objectives and various oculars are available. The total magnification shows attainable range with standard series. |
| Revolving Nosepiece | For five microscope objectives. Interchangeable. |
| Eye-piece Tubes | Monocular, binocular or trinocular. Interchangeable. 45° inclined, 360° rotatable. Photo-tube also available. |
| Stages | Plain square, circular floating or rectangular stage. Interchangeable. Attachable mechanical stage is available for plain square stage. |
| Condenser Holder | Focusing motion by rack and pinion. Range 28mm. Centering with radial screws. Abbe, Aplanatic, Achromatic or long-working distance condensers. |
| Stage and Substage | The stage assembly can be lowered by 71mm from the standard position. Can be clamped at any intermediate position, from where coarse-and fine-focusing motion can be resumed. |
| Coarse Focusing | Focusing stage by rack and pinion. Range 38mm. |
| Fine Focusing | Coaxial with coarse-focusing knob. With differential gear trains. Increments 0.002mm. Covers whole coarse-focusing range. |

Remarks : Oculars, objectives, condensers, accessories and photo/cinematicographic equipment are listed in separate catalogs, which are available on request.

The model reproduced in this catalog represents the design of our instrument at the time of printing. The design and specifications are subject to change due to further improvements.

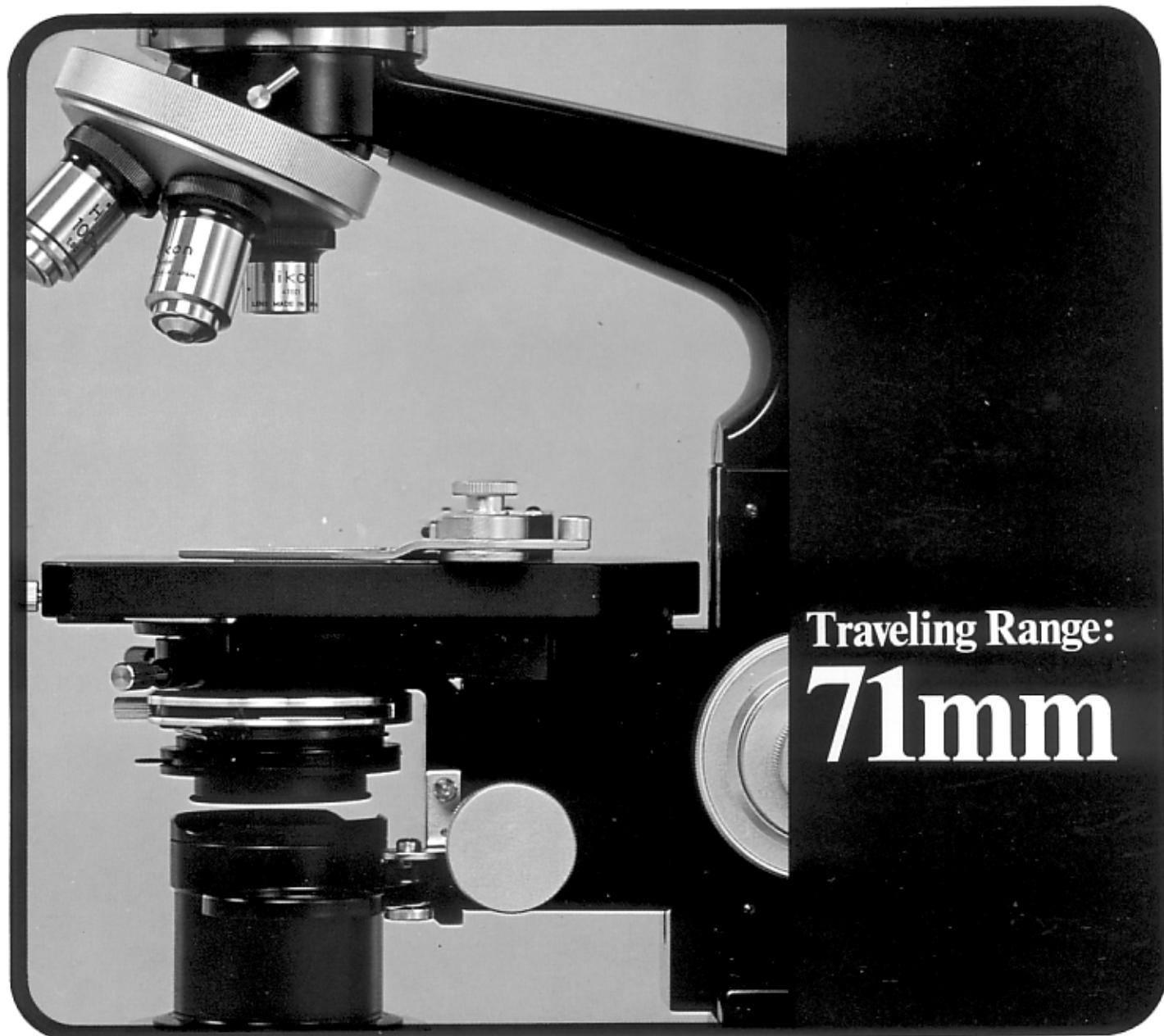


EXTENDED FUNCTIONS

Nikon's incomparable optical and mechanical designing and production capabilities provide Model L-Ke with many new innovations, which include the following unique features.

High/Low Stage Positions

The stage, together with the substage construction, can be lowered by 71mm to attain a distance of 104.6mm from the objective shoulder to the stage surface to accommodate petri dishes or oversized specimens even when low-power objectives which have a lower focal plane are employed. The stage can, of course, be clamped in any intermediate position from which coarse or fine focusing can be resumed. Furthermore, the stage can be detached so that other stages or fixtures can be adopted for macrophotography or special-effect photo/cinemicrography. Range of focusing is 38 mm. Fine focusing is calibrated in 2-micron increments and works on an incorporated differential gear train which serves the whole range of focusing without interruption.



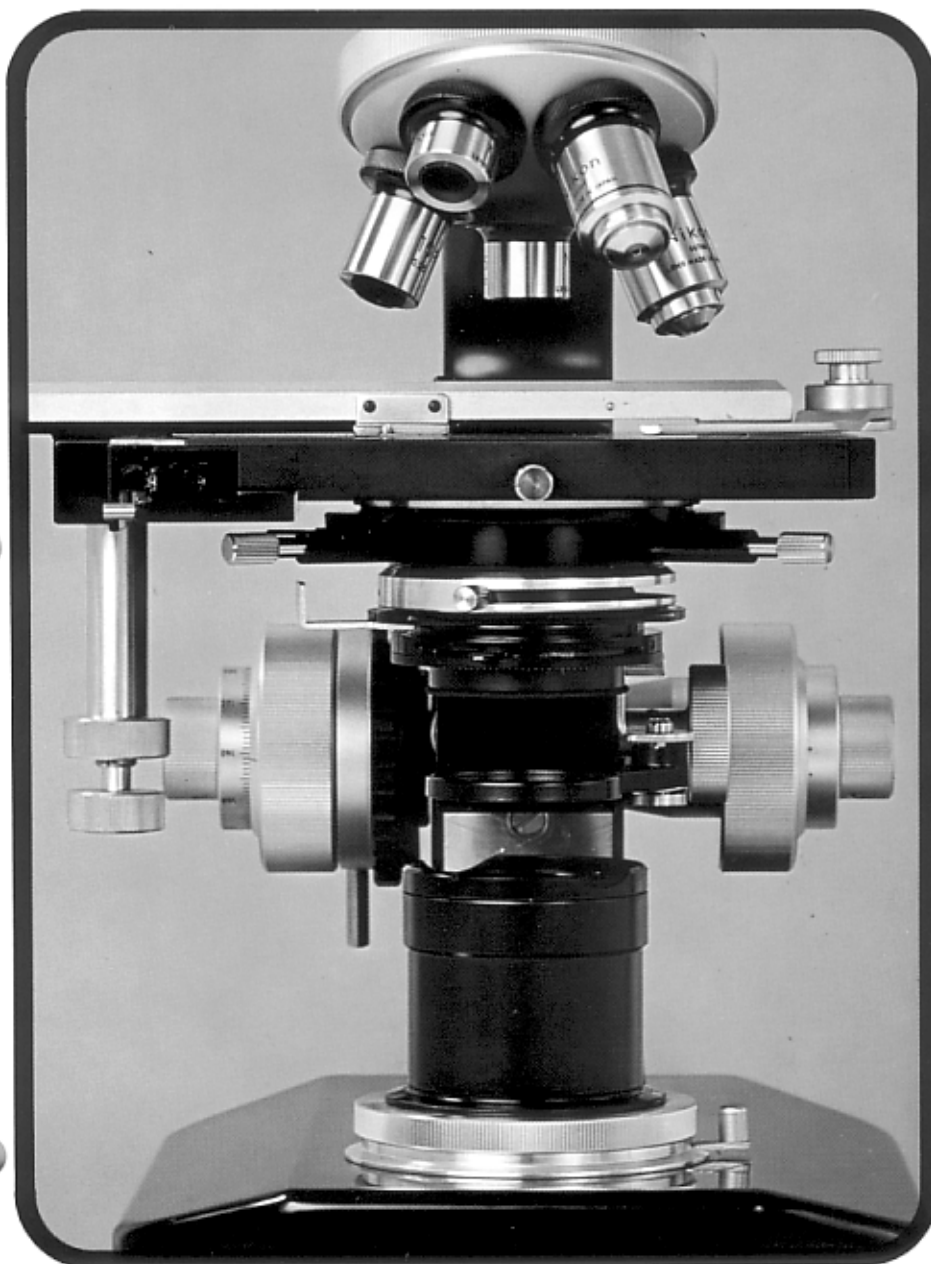
Traveling Range:
71mm

Convenient Focusing Tension Adjustment and Preset Refocusing Device.

The coarse-focusing adjustment can be eased and tightened to suit individual preference with a scalloped black ring placed inside the coarse-focusing knob. (As seen below).

The coarse-focusing control can be preset by a lever positioned next to the tension adjustment ring to limit the upward movement of the stage and prevent inadvertent physical contact between the objective front and the specimen slide; or it can be preset to stop at any desired "in focus" position.

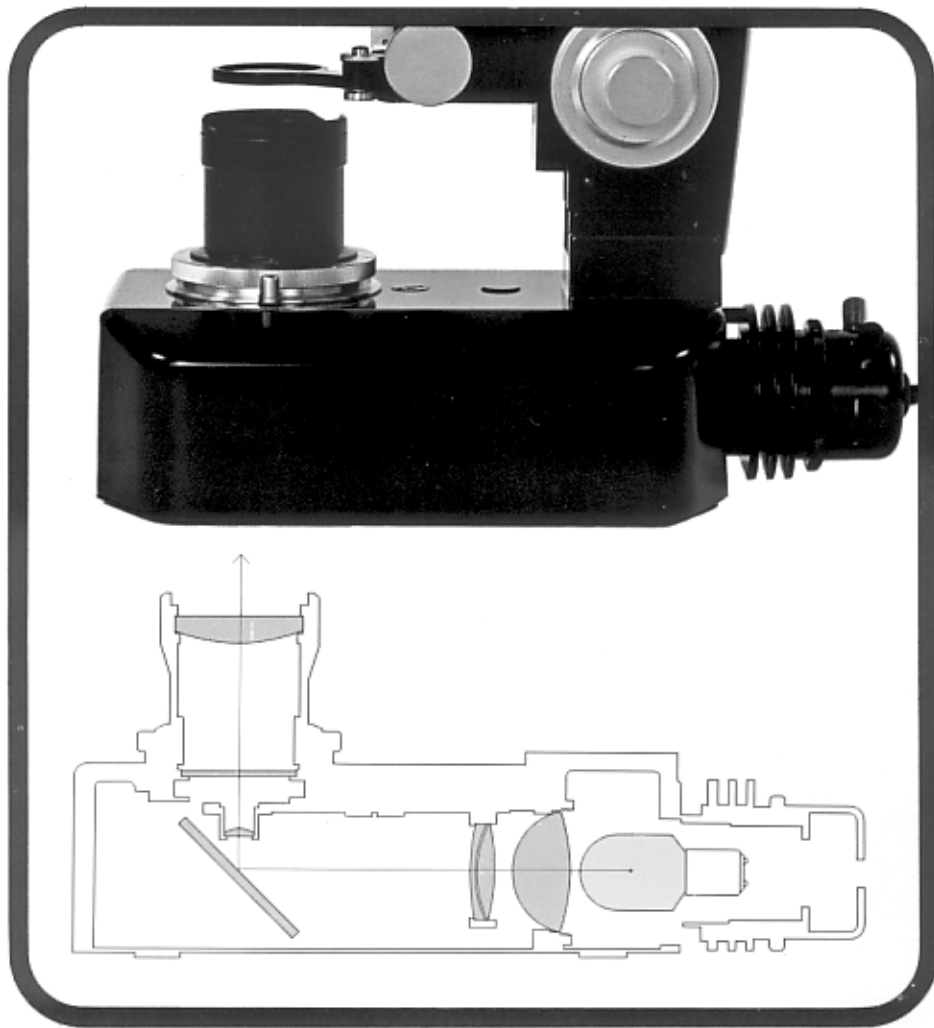
Large Condenser Focusing Range



The range of condenser focusing is 28mm with rack and pinion motion. The condenser holder accepts various condensers, bright-field or dark-field, including the long focal-length condenser specifically developed for tissue culture studies. Centering is accomplished by means of radial screws in the substage to accurately align the optical axis of the objective to the built-in illumination system.

The light cone emitted from the condenser completely fills the N. A. of the objective employed, without obliquity, for the optimum resolution and contrast inherent in the objective.

KOEHLER ILLUMINATION

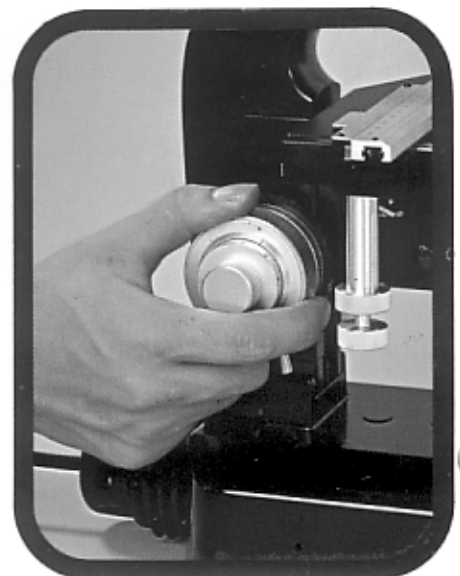


For Entire Magnifi- cation Range

Images of even brightness and good contrast over the whole field of view and throughout the entire magnification range can be obtained. For observation without readjustment, examinations throughout the magnification range can be conducted under strict Koehler conditions. For photography, an illumination system in strict accordance with the magnification of the objectives used can be selected for making the most efficient use of all the available light for monochrome and color photo/cinemicrography. A 6-volt, 30-watt, concentrated, flat filament bulb is used as light source. Supplied with a step-down transformer provided with a built-in voltmeter and a continuously variable voltage control.

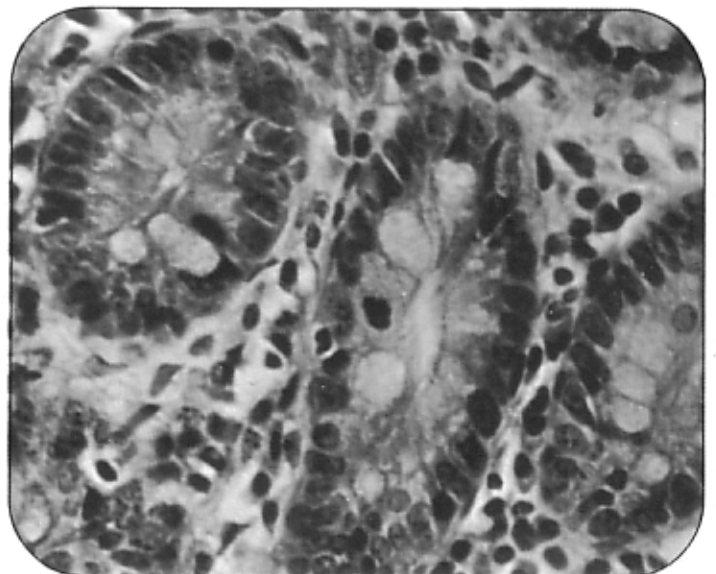
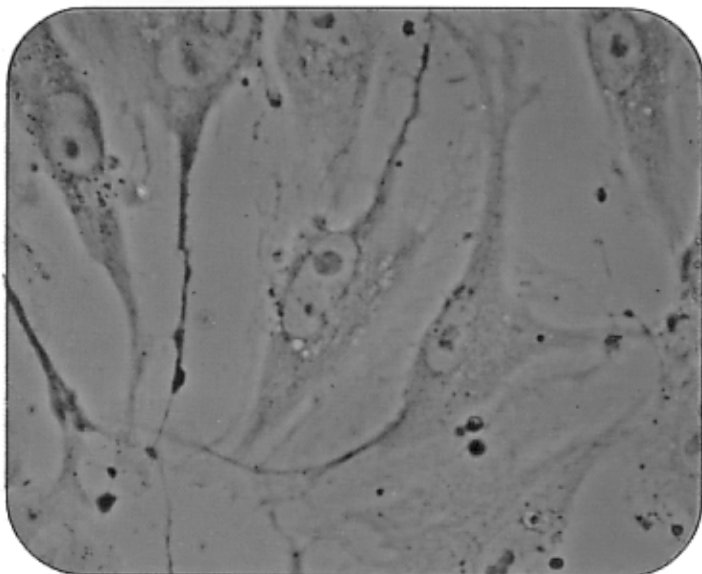
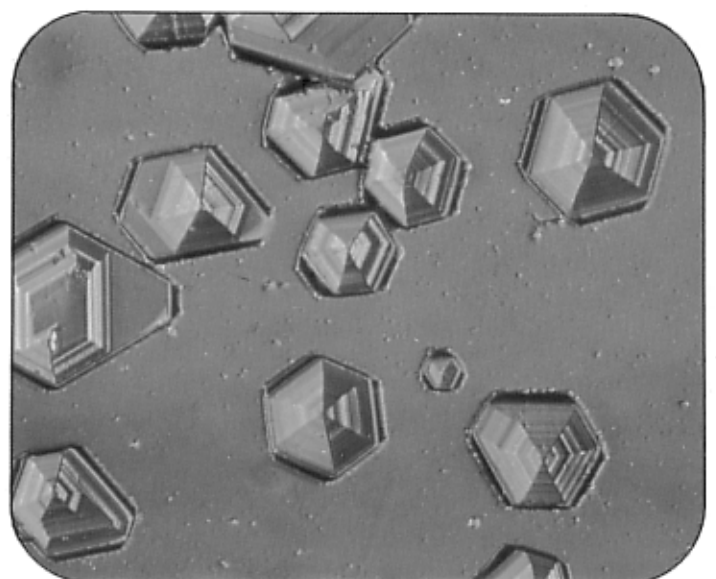
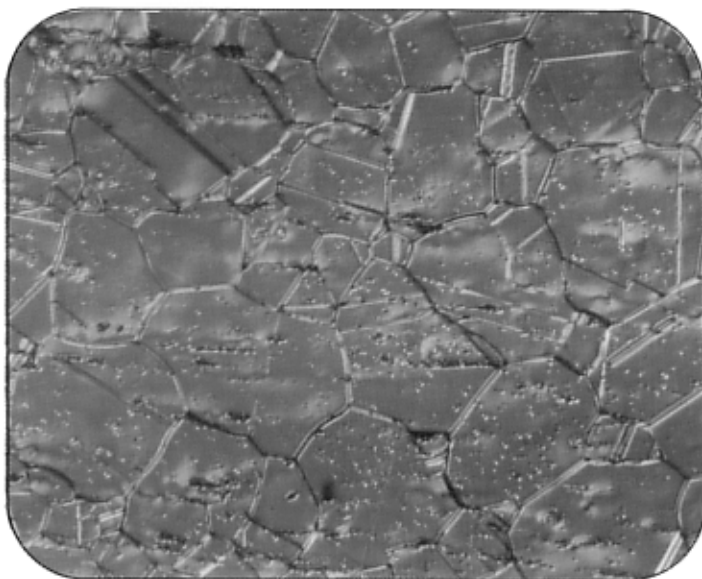
EASE IN HANDLING Coaxial Coarse- and Fine-Focusing Knobs

Coarse- and fine-focusing knobs are coaxial and low-positioned for maximum operating ease and convenience.



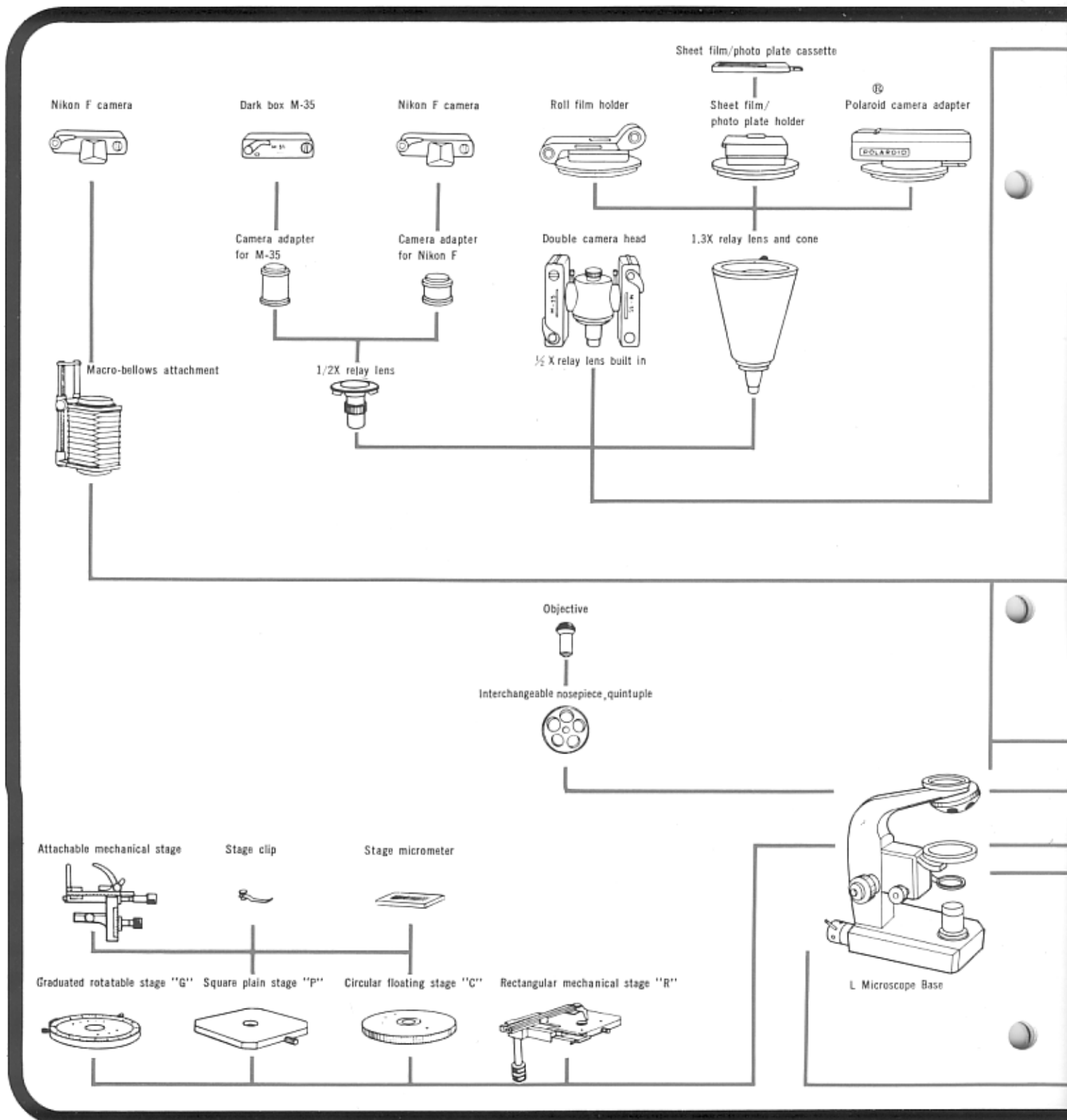
RECORD FOR YOURSELF

the whole world of microscopy:
Bright-field, dark-field, phase-contrast, polarizing, interference-phase, differential-interference.

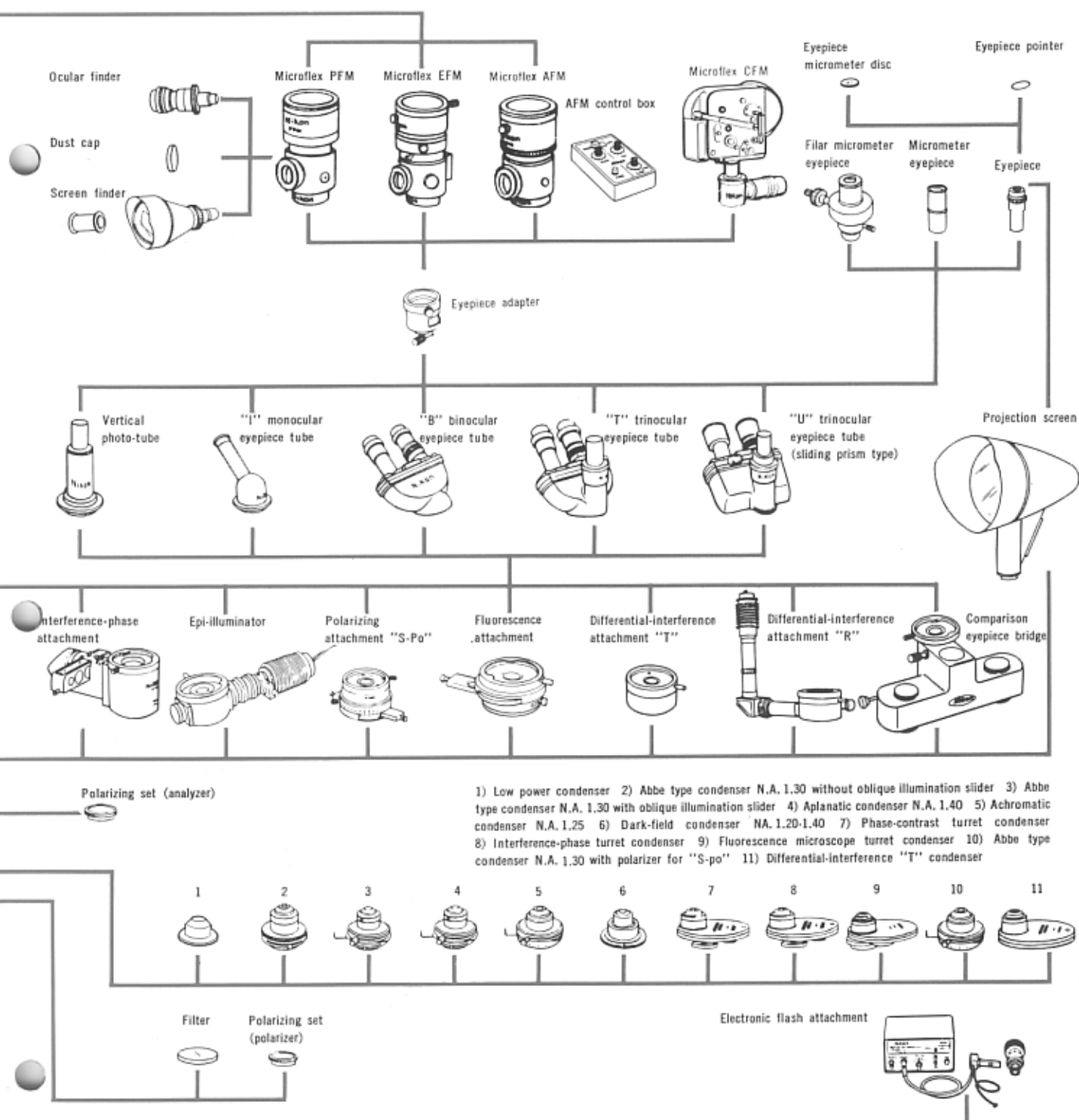


SYSTEM OF NIKON

Shown are the attachments and accessories for various applications. Those appearing in parallel position are the accessories which can be fixed to the same item on the lower position but for different purposes. Catalogues on attachments and accessories are available on request.



MICROSCOPE L-Ke





NIPPON KOGAKU K.K.

Nihonbashi-Nishikawa Bldg., Nihonbashi, Chuo-ku, Tokyo, Japan

NIPPON KOGAKU (U.S.A) INC.

623 Stewart Avenue, Garden City, New York

Zip Code : 11533 Tel: Area Code 516 CH8-4120

NIKON A.G.

Kirchenweg 5, 8008 Zürich, Switzerland

Tel: (051) 474640, 474641

Manufacturer of Nikon and Nikkormat Cameras,
Nikkor Lenses, Binoculars, Astronomical Telescopes,
Surveying Instruments, Optical Measuring Instruments,
Microscopes, Ophthalmic Lenses and Optical Glasses