

LEITZ Projection Microscopes Outfits Neo-PROMAR[®] Tele-PROMAR[®] 500



1978 edition
See also Lists 590-27 and 590-28

**Special microscopes for the projection of transparent objects in brightfield;
Neo-PROMAR with 24v 250W tungsten halogen lamp and built-in transformer;
Tele-PROMAR 500: with 450W high-pressure xenon lamp**

Optimum light output and optical performance through best possible matching of illumination and special condensers for the necessary plano objectives.

Screen image diameter up to about 2m for the Neo-PROMAR and up to about 3.5 m for the Tele-PROMAR 500;

Reproduction scales on the screen up to about 3000:1 with the Neo-PROMAR and about 15000:1 with the Tele-PROMAR 500.

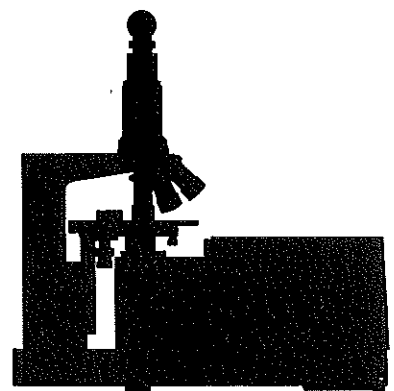
Objectives: NPL FLUOTAR Plano objectives or achromats for the Neo-PROMAR.

Object stages with mechanical adjustment

Extension facility of the Neo-PROMAR to function as a brightfield microscope, for photomicrography, or daylight projection with projection attachment.

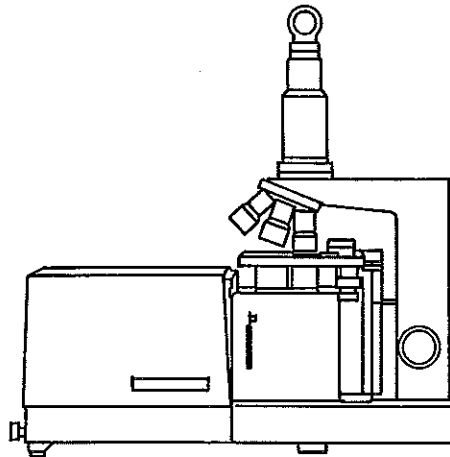
This list contains practical outfit suggestions. Further possibilities of variation are provided by the LEITZ modular system.

Our suggestions	Page
LEITZ Neo-PROMAR for the teaching of biology in schools and technical colleges Projection microscope with achromatic objectives	3
LEITZ Neo-PROMAR for the teaching of biology and medicine, cytology and histology Projection microscope with NPL FLUOTAR plano objectives	4
LEITZ Tele-PROMAR 500 for the teaching of biology and medicine, cytology and histology Projection microscope with NPL FLUOTAR plano objectives up to 63x objective magnification	5
LEITZ Tele-PROMAR 500 for the teaching of biology and medicine, cytologie and histology Projection microscope with NPL FLUOTAR plano objectives up to 100x objective magnification	6
General accessories and individual components	7

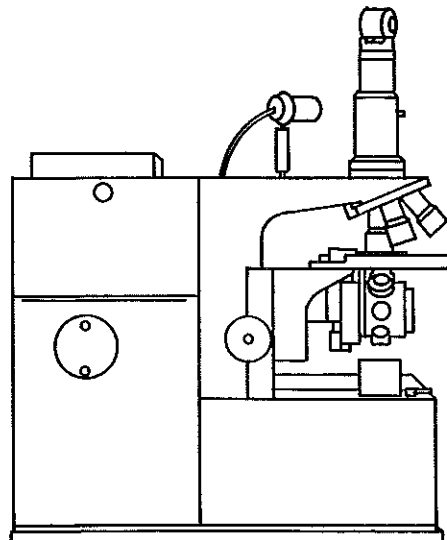


LEITZ projection microscopes

Neo-PROMAR
with 250W tungsten halogen lamp



Tele-PROMAR 500
with 450W high-pressure xenon lamp



LEITZ Neo-PROMAR for the teaching of biology in schools and technical colleges

Basic outfit with achromatic objectives and 4x projection eyepiece for projection distances of up to about 5m

**Magnification range of the objectives up to 40:1;
Reproduction scale of up to 3000:1 on the screen**

Projection microscope stand with single-knob control for coarse and fine adjustment, oblong 130x125mm object stage, fixed

Quadruple objective revolving nosepiece

Two adjustable condensers

Mirror housing with cold-light interference deflecting mirror

Lamp housing with aspherical condenser system, heat filter KG 1, blower and built-in transformer

for connection to 110-240v, 50/60 Hz 520 477

24v, 250W tungsten halogen lamp 590 910

Attachable Mechanical Stage No. 22, adjustment range 76 x 50 mm 513 323

Straight monocular tube 512 593

Universally adjustable projection prism 37 889

Connecting cable 37 644

Dust Cover 520 499

Plano objective PL 2.5/0.08 519 495

Stray-light shield for same 520 510

Achromatic objective 4/0.12 519 614

Stray-light shield for same 520 511

Achromatic objective 10/0.25 519 615

Stray-light shield for same 520 494

Achromatic objective Le 40/0.65 519 616

Stray-light shield for same 520 494

4 x projection eyepiece, for projection distances of up to 5m 37 301

Spacing ring (TL 160) for same 519 653

Complete outfit LEITZ Neo-PROMAR with achromats 520 512

Additional possibilities of equipment

For up to 9m projection distance:

2.5x projection eyepiece 592 023

For projection distances of up to 11m:

2x projection eyepiece 37 300

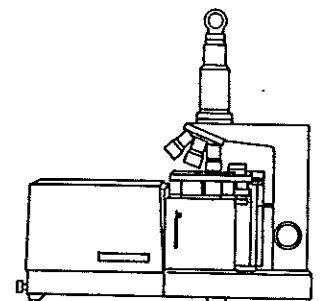
Plano objective PL 1.6/0.05 519 619

Collar as stray-light shield for same 520 507

Accessories (see also page 7)

24v, 250W tungsten halogen lamp (replacement) 590 910

Heat filter (replacement) 37 869



LEITZ Neo-PROMAR for the teaching of biology and medicine, cytology and histology

Basic outfit with NPL FLUOTAR plano objectives and 4x projection eyepiece for projection distances of about 5m.

**Magnification range of the objectives up to 25:1;
Reproduction scale of up to 2000:1 on the screen
(of up to 3000:1 with 40:1 objective)**

Projection microscope stand with single-knob control for coarse and fine adjustment

Oblong 130mm x 125mm object stage, fixed

Quadruple objective revolving nosepiece

Two adjustable condensers

Mirror housing with cold-light interference deflecting mirror

Lamp housing with aspherical condenser system, heat filter KG 1, blower and built-in transformer for connection to 110-240v, 50/60 Hz 520 477

24v, 250W tungsten halogen lamp 590 910

Attachable Mechanical Stage No. 22, adjustment range 76x50mm 513 323

Straight monocular tube 512 593

Universally adjustable projection prism 37 889

Connecting cable 37 644

Dust cover..... 520 499

Plano objective PL 1.6/0.05 519 619

Collar as stray-light shield for same 520 507

Plano objective NPL FLUOTAR 6.3/0.20 519 493

Stray-light shield for same 520 494

Plano objective NPL FLUOTAR 16/0.45 519 500

Stray-light shield for same 520 494

Plano objective NPL FLUOTAR 25/0.55 519 501

Stray-light shield for same 520 494

4x projection eyepiece for projection distances of up to about 5m 37 301

Spacing ring (TL 160) for same 519 653

Complete outfit LEITZ Neo-PROMAR with plano objectives 520 498

Additional possibilities of equipment

For up to 9m projection distance:
2.5x projection eyepiece 592 023

For projection distances of up to 11m:
2x projection eyepiece 37 300

Plano objective PL 2.5/0.08 519 495

Stray-light light shield for same 520 510

Plano objective NPL FLUOTAR 40/0.70 519 502

Stray-light shield for same 520 494

Accessories (see also page 7)

24v 250W tungsten halogen lamp (replacement) 590 910

Heat filter (replacement) 37 869

LEITZ Tele-PROMAR 500 for the teaching of biology and medicine, cytology and histology

Basic outfit with NPL FLUOTAR plano objectives and 4x projection eyepiece for projection distances of up to 10m

Magnification range of the objectives up to 100 : 1
Reproduction scale up to 15,000 : 1 on the screen

Projection microscope stand in special version with single-knob control for coarse and fine adjustment;
 illumination: Lamp Housing 500 with 450W high-pressure xenon lamp, including adjustable lamp condensor system, Calflex heat filters and 380nm and 420nm edge spectrum filters, 30% transmission neutral-density screen; built-in firing unit for the lamp;
 mirror housing with cold-light interference deflecting mirror and lamp centring disc;
 large mechanical stage, 160 x 138mm, adjustment range 76 x 50mm, fixed;
 quadruple condenser turret in special version with coloured light marks for matching with the revolving nosepiece, fixed;
 quintuple revolving nosepiece with colour light marks for matching with the condenser turret, fixed;
 light pointer and measuring mark projection device with fibre optics;
 monocular tube 0 with spacing ring TL 160 and projection prism, universally adjustable;
 dust cover

Outfit of the LEITZ Tele-PROMAR 500 stand		520 491
Plano objective PL 1.6/0.05	519 619	
Collar as stray-light shield for same	520 507	
Plano objective NPL FLUOTAR 6.3/0.20	519 493	
Stray-light shield for same	520 494	
Plano objective NPL FLUOTAR 16/0.45	519 500	
Stray-light shield for same	520 494	
Plano objective NPL FLUOTAR 40/0.70	519 502	
Stray-light shield for same	520 494	
Plano objective NPL FLUOTAR 100/1.32 Oil	519 504	
Stray-light shield for same	520 494	
10 ml immersion oil	513 449	
4x projection eyepiece for projection distances of up to 10m	37 301	
Measuring mark insert 4 matched for the above-mentioned optical outfit	520 497	
Complete outfit LEITZ Tele-PROMAR 500		520 490
Power unit for the high-pressure xenon lamp (please state mains voltage)		500 237

Additional possibilities of equipment

For projection distances of up to 15m:

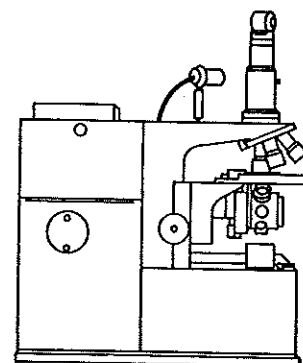
2.5x projection eyepiece	592 023
In addition	
Measuring mark insert 3, matched for the above-mentioned optical outfit	520 496

For specimens without coverglass:

Plano objective NPL FLUOTAR 63/0.90 O.D.	519 503
Stray-light shield for same	520 494

Accessories (See also page 7)

450W high-pressure xenon lamp (replacement)	500 031
Heat filter (replacement)	514 040



LEITZ Tele-PROMAR 500 for the teaching of biology and medicine, cytology and histology

Basic outfit with NPL FLUOTAR plano objectives and 4x projection eyepiece for projection distances of up to 10m

Magnification range of the objectives up to 63:1;
Reproduction scale up to 10,000:1 on the screen

Projection microscope stand in special version with single-knob control for coarse and fine adjustment; illumination:
 Lamp Housing 500 with 450 W high-pressure xenon-lamp, including adjustable lamp condenser system, Cafflex heat filters and 380nm and 420nm edge spectrum filters, 30% transmission neutral-density screen; built-in firing unit for the lamp;
 mirror housing with cold-light interference deflecting mirror and lamp centring disc; large mechanical stage, 160x138mm, adjustment range 76x50mm, fixed; quadruple condenser turret in special version with coloured light marks for matching with the revolving nosepiece, fixed;
 quintuple revolving nosepiece with colour light marks for matching with the condenser turret, fixed;
 light pointer and measuring mark projection device with fibre optics;
 monocular tube O with spacing ring TL 160 and projection prism, universally adjustable;
 dust cover

Outfit to the LEITZ Tele-PROMAR 500 stand	520 491
Plano objective PL 1.6/0.05	519 619
Collar as stray-light shield for same	520 507
Plano objective NPL FLUOTAR 6.3/0.20	519 493
Stray-light shield for same	520 494
Plano objective NPL FLUOTAR 16/0.45	519 500
Stray-light shield for same	520 494
Plano objective NPL FLUOTAR 25/0.55	519 501
Stray-light shield for same	520 494
Plano objective NPL FLUOTAR 63/0.90 KORR.	519 446
Stray-light shield for same	520 494
4x projection eyepiece for projection distances of up to 10m	37 301
Measuring mark insert 2, matched with the above-mentioned optical outfit	520 493
Complete outfit LEITZ Tele-PROMAR 500	520 489
Power unit for the high-pressure xenon lamp (please state mains voltage)	500 237

Additional possibilities of equipment

For projection distances of up to 15m:

2.5x projection eyepiece

In addition

Measuring mark insert 1, matched for the above mentioned optical outfit

For specimens without coverglass:

Plano objective NPL FLUOTAR 63/0.90 O.D.

Stray-light shield for same

Accessories (see also page 7)

450W high-pressure xenon lamp (replacement)

Heat filter (replacement)

General Accessories and Separate Parts

Objectives for the LEITZ projection microscopes

	Designation of the objectives, reproduction scale/aperture	Free working distance	Cover-glass correction ¹⁾	Object area dia. when projection eyepieces of field-of-view index 22 are used	Code-No.
	Plano-objective PL 1.6/0.05	7.2 mm	DO	13.75 mm	519 619
	PL 2.5/0.08	11.8 mm	DO	8.8 mm	519 495
	NPL FLUOTAR 6.3/0.20	2.3 mm	DO	3.5 mm	519 493
	16/0.45	0.58 mm		1.37 mm	519 500
	25/0.55	0.36 mm	D	0.88 mm	519 501
	40/0.70	0.24 mm	D	0.55 mm	519 502
for Tele-PROMAR 500 only	63/0.90 KORR.	0.11 mm	D	0.35 mm	519 446
	100/1.32 OIL	0.17 mm	D	0.22 mm	519 504
	63/0.90	0.11 mm	O	0.35 mm	519 503
for Neo-PROMAR only	achromatic objective 4/0.12	24 mm	DO	5.5 mm	519 614
	10/0.25	6.8 mm	DO	2.2 mm	519 615
	Le 40/0.65	0.50 mm	D	0.55 mm	519 616

Projection eyepieces (dia. 23.2 mm) and projection data for the LEITZ projection microscopes

Designation of the projection eyepieces		Projection distance	Screen image dia. about	Field-of-view diameter	Code-No.
for Neo-PROMAR only	2x	11 m	2.00 m	22 m	37 300
		9 m	1.60 m		
	2,5x	15 m	3.30 m	22 m	592 023
		13 m	2.80 m		
		11 m	2.40 m		
		9 m	2.00 m		
		7 m	1.50 m		
	4x	9 m	3.10 m	22 mm	37 301
		7 m	2.40 m		
		5 m	1.75 m		
		3 m	1.00 m		

Further projection eyepieces on request.

For direct observations with the Neo-PROMAR:

Inclined monocular tube	512592
PERIPLAN GF 10x/18 eyepiece	519620
In addition	
Neutral-density screen, transm. 6.3%	514440
Neutral-density screen, transm. 0.2%	514031

Projection attachment with ground-glass screen and Fresnel lens, dia-155mm, upright image, with GF 10x PERIPLAN® largefield eyepiece	513 138
--	---------

Suitable microscope camera:
WILD MPS system or existing LEITZ micro attachment for the LEICA®

Accessories for television microscopy (black-and-white)

Simple accessories for compact cameras of up to 5kg weight for the Neo-PROMAR:	
C-mount adapter	543345
Neutral-density screen, 0.2% transmission for same	514031

For the Tele-PROMAR 500

Camera carrier	520413
Spacing ring	520404
Prism holder	520408
Camera holder for TV camera Grundig FA 41/FA 42/FA 42 SZ; Philips 8000/00 and LDH 0050; Fernseh GmbH TV110 and TV 117.....	420411
Camera holder for TV camera Siemens JFK 011/KO 12 and JFKm 201	520412

HOLDERS for other cameras on request

¹⁾ D: with coverglass, thickness = 0.17 mm (maintain coverglass thickness to within ±0.05)
O: without coverglass
DO: for use with or without coverglass

* = Registered Trademark

ERNST LEITZ WETZLAR GMBH

D-6330 Wetzlar Tel.: (06441) 29-1 Telex: 4 83 849 leiz d
Subsidiary: Ernst Leitz (Canada) Ltd., Midland, Ontario

List 021.520-068 Engl.

Printed in W.-Germany

II/79/DX/L