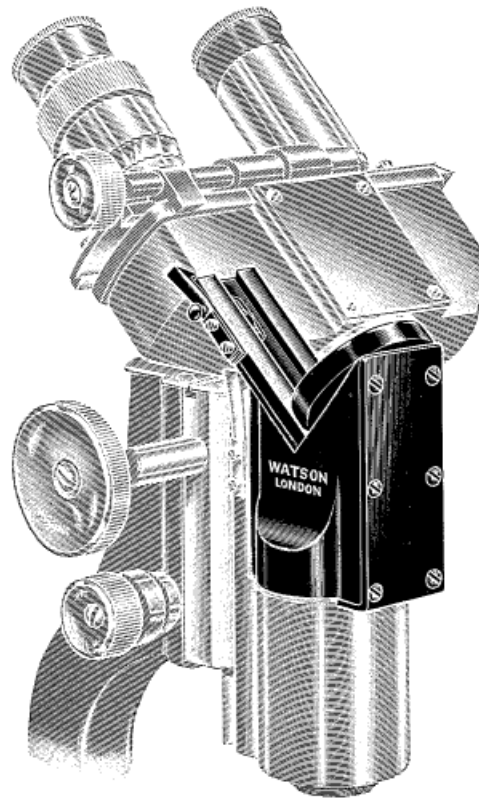


## INCLINING UNIT

The increasing use of tissue culture technique, the examination of colloids, of materials mounted in serum, and other preparations of a similar nature, necessitates the use of the microscope in a vertical position. The fatigue consequent upon the use of the instrument in this manner has led to a demand for apparatus to relieve the worker. Many users to-day have grown accustomed to and prefer the High-Power Binocular Microscope, and because of this the Inclining Unit, as illustrated, has been developed. Thus, the instrument may either be used with the monocular body or the high-power binocular body in the conventional position, or if it is essential that the microscope be used in the upright position so that the stage remains horizontal, the Inclining Unit can be inserted and the microscope used with either the monocular or the high-power binocular body. It is of course only possible to add this to an instrument provided with the intermediate slide for the interchangeable bodies.

Code Word No.  
Makbe 11071 Inclining Unit, as  
figured ... .. £5 0 0



## TUBE LENGTH CORRECTOR

COMPUTED BY SIR HERBERT JACKSON, F.R.S.

The high standard of correction of modern Microscope Objectives entails a great sensitivity to accurate Tube Length setting. It is not sufficient to use standardized cover glasses, as the actual depths of the mountant between the specimen under examination and the cover glass may effectively increase cover glass thickness. High-Power Binocular bodies, although fitted with correcting lenses, have no further provision for Tube Length adjustment. Sir Herbert Jackson, Director of the British Research Association, has evolved a piece of apparatus which may be mounted as part of the microscope body, or between the nosepiece and body, whereby Tube Length correction can be carried out simply with all Objectives. Watson's have always objected to the use of the correction collar, owing to the difficulty in incorporating it in objectives, but as the optical components of this adjunct consist of a concave lens system, sensitivity to accurate centring is not so great and the apparatus enables the most sensitive of apochromatic objectives to perform at its best.



Code Word No.  
Makbo 110702 Sir Herbert Jackson Tube Length Corrector, as figured ... Price £7 10 0

N.B.—Ranges of Tube Length equivalent to 100-300 mm. are obtainable with this accessory.

W. WATSON & SONS, LTD.



313 HIGH HOLBORN, W.C.

## ATTACHABLE RACKWORK DRAWTUBE

The mechanical drawtube is arranged to replace the ordinary sliding drawtube that is supplied with the "H" Edinburgh Student's, the "Bactil" and the "Service" Microscopes.

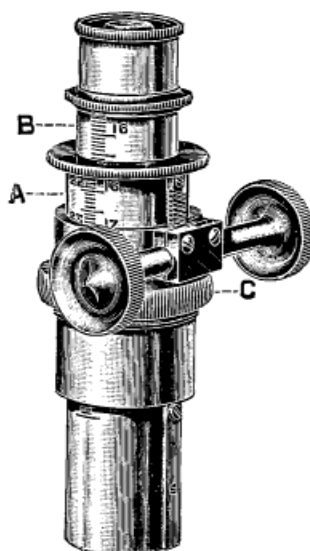


Fig. 17

Reference to the accompanying illustration will show that this mechanical drawtube is an independent attachment consisting of a long bearing fitting, which carries the rackwork drawtube "A" and an inner tube "B," which slides in the ordinary way.

The great convenience of it is that it can be immediately interchanged with the ordinary drawtube fitting, in the above-mentioned Microscopes.

The collar which carries the sliding drawtube is unscrewed; the screw attached to the mechanical drawtube, being identical, enables the latter fitting to interchange with the ordinary sliding drawtube.

Lest the milled heads should not come exactly square with the front when the tube is screwed home, a knurled ring "C" is provided, and this enables the fitting to be clamped in any desired position.

The use of the new "Cassegrain" Dark Ground Illuminator (see page 30) has emphasised the necessity for adjustment for exact tube length, to obtain the maximum effect from modern Objectives, and this new attachment is one item in the list of fittings which enables the user to convert his Student's Microscope into a research model.

Cord Word—Macac. 15101 Price of the Rackwork Drawtube ... .. £4 10 0

NOTE.—This Mechanical Drawtube can be fitted to any existing "Bactil" or "Service" Microscope, and the "H" Edinburgh Student's Microscope from 34139 onwards. Further, it can be fitted to any instrument having a body tube with an internal diameter of  $1\frac{1}{8}$  in.

W. WATSON & SONS, LTD.



313 HIGH HOLBORN, W.C.